

REV	DESCRIPTION	DATE
1	DESIGN CHANGES	02/23/22
2	FC COMMENTS	11/22/22
3	FC COMMENTS	12/22/22

COASTAL FORM ARCHITECTS
 2002 Jimmy Durante Blvd.
 Suite 200
 Del Mar, CA 92014
 858.531.9884
 www.coastalform.com
 info@coastalform.com

**4060 OREGON STREET
 48 MICRO UNIT APARTMENT**
 4060 OREGON STREET,
 SAN DIEGO, CA 92104

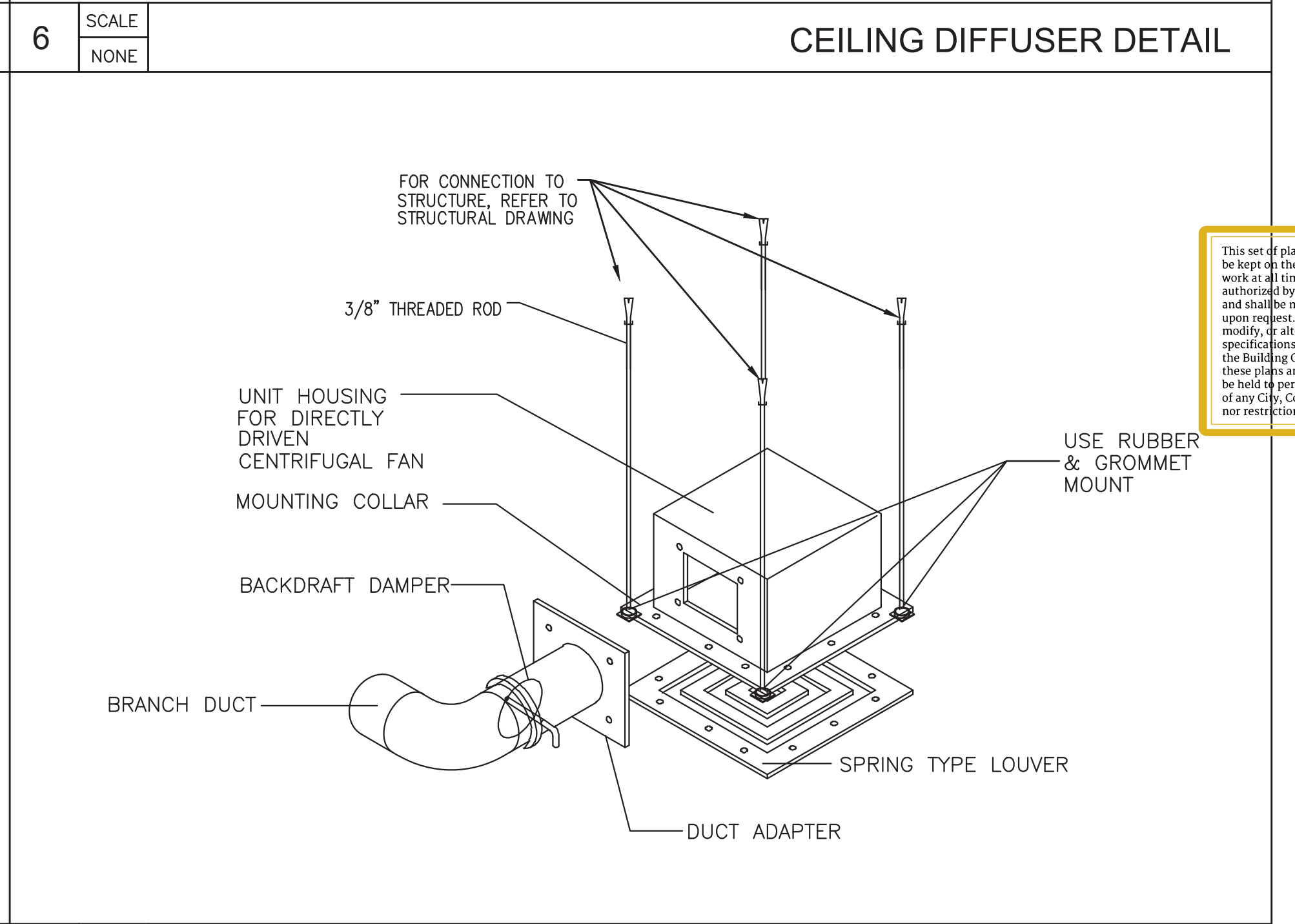
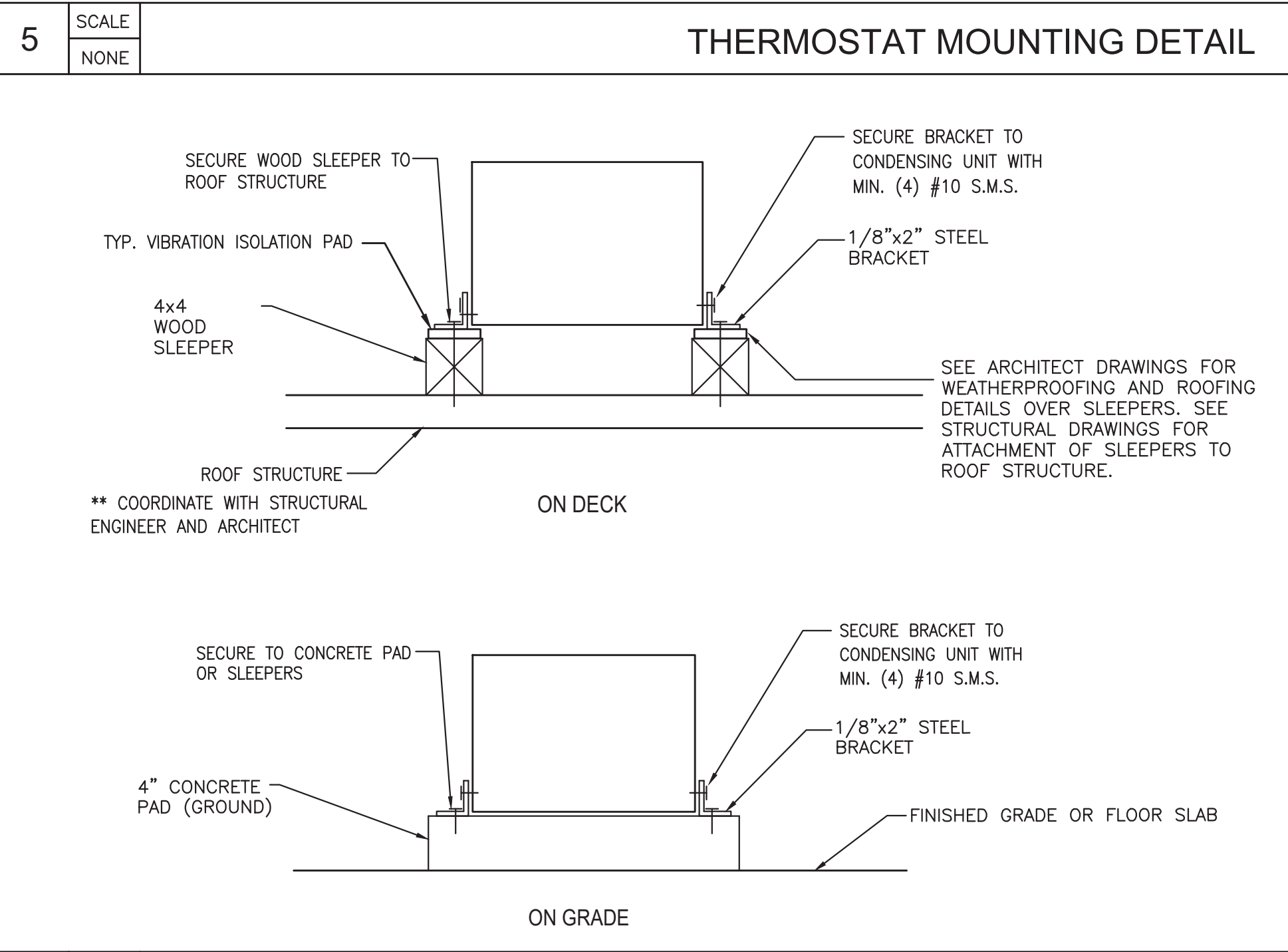
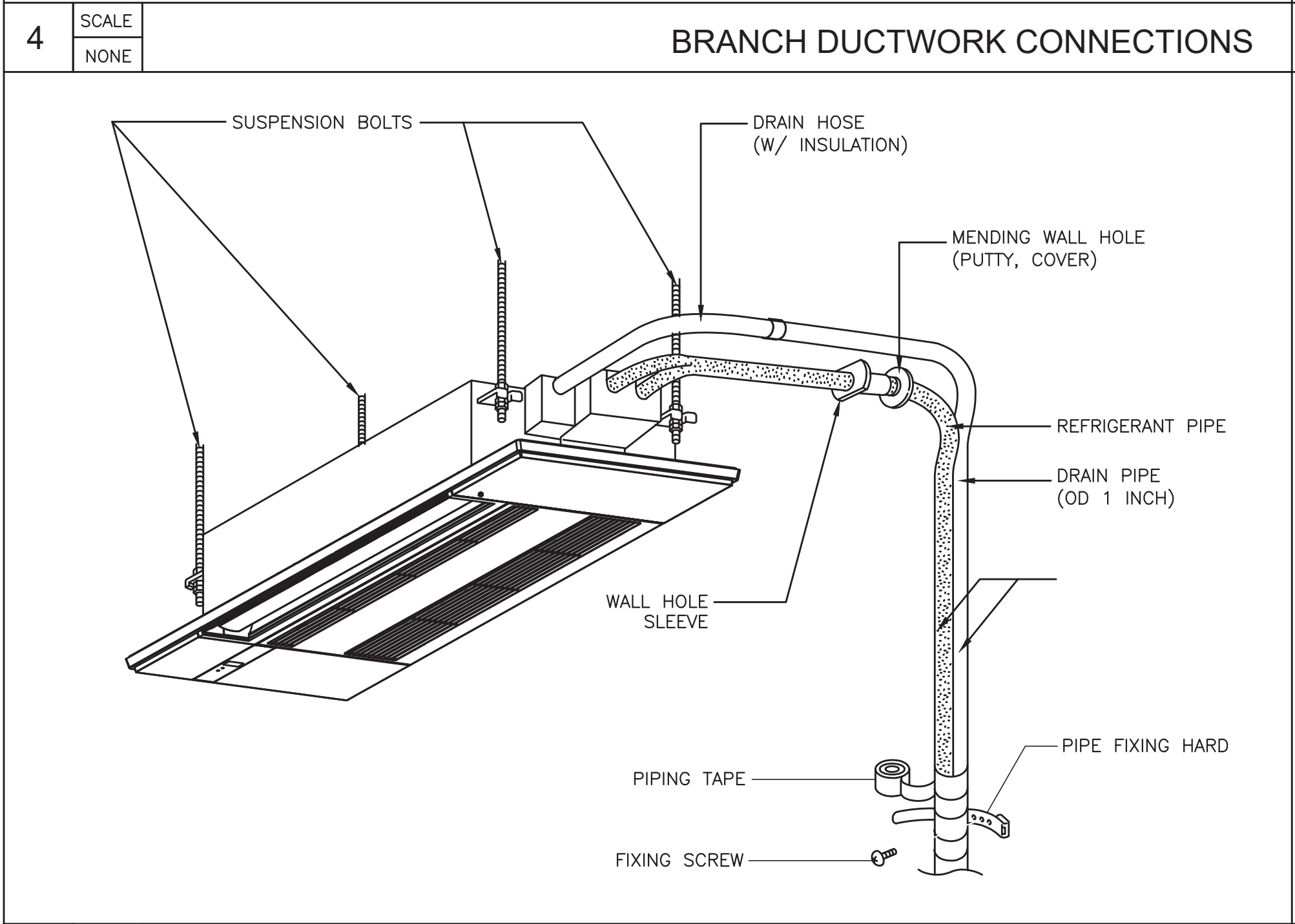
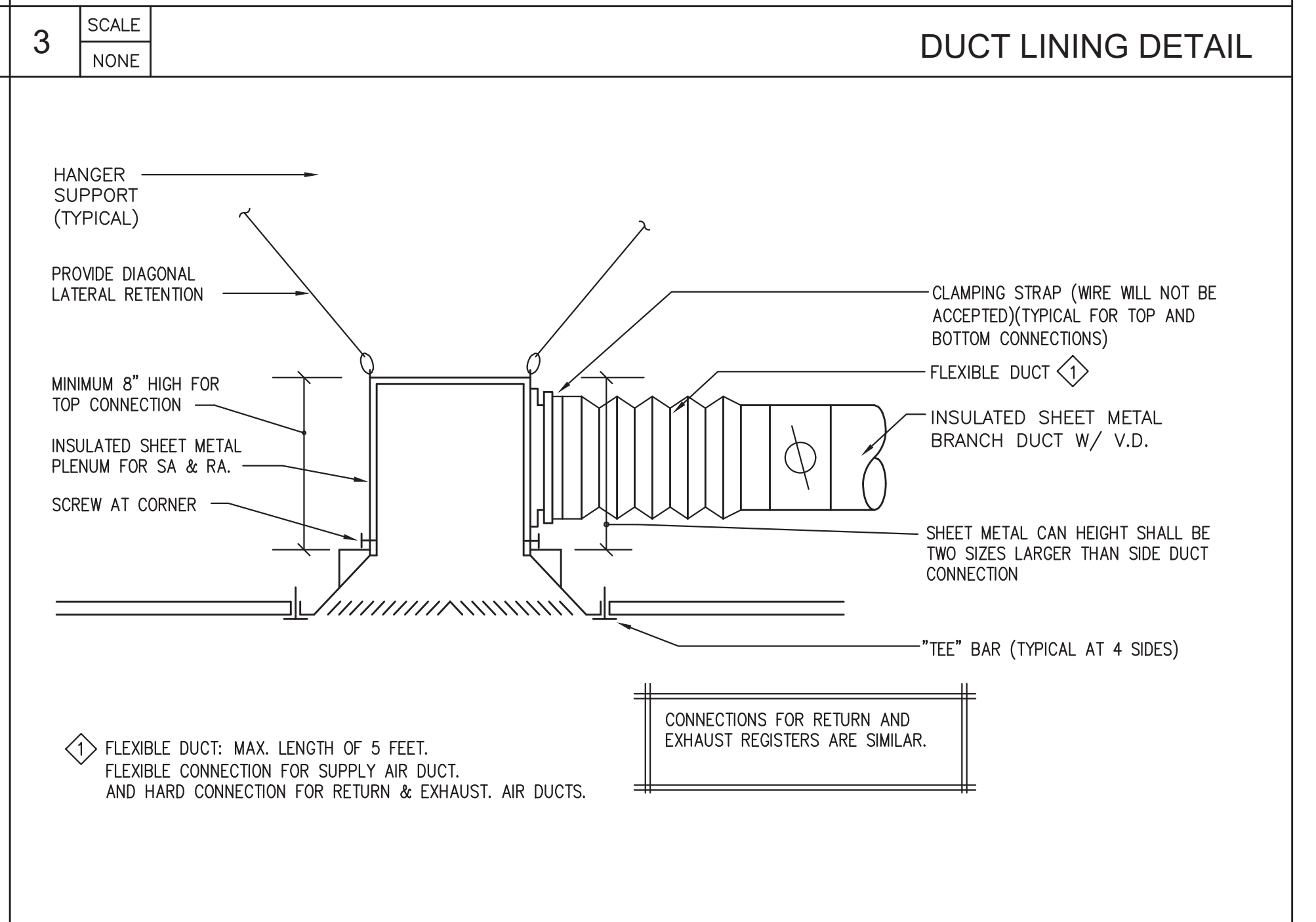
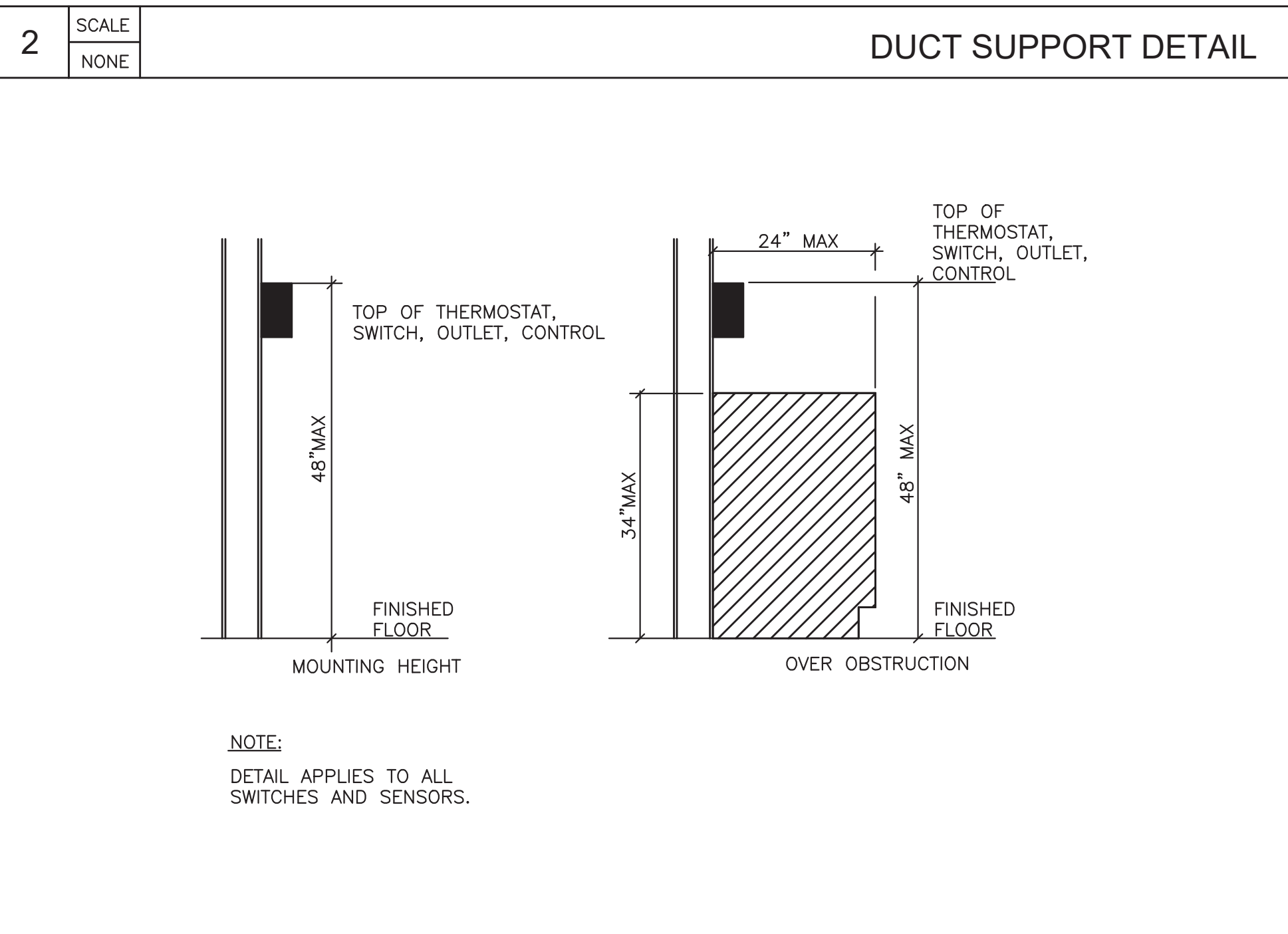
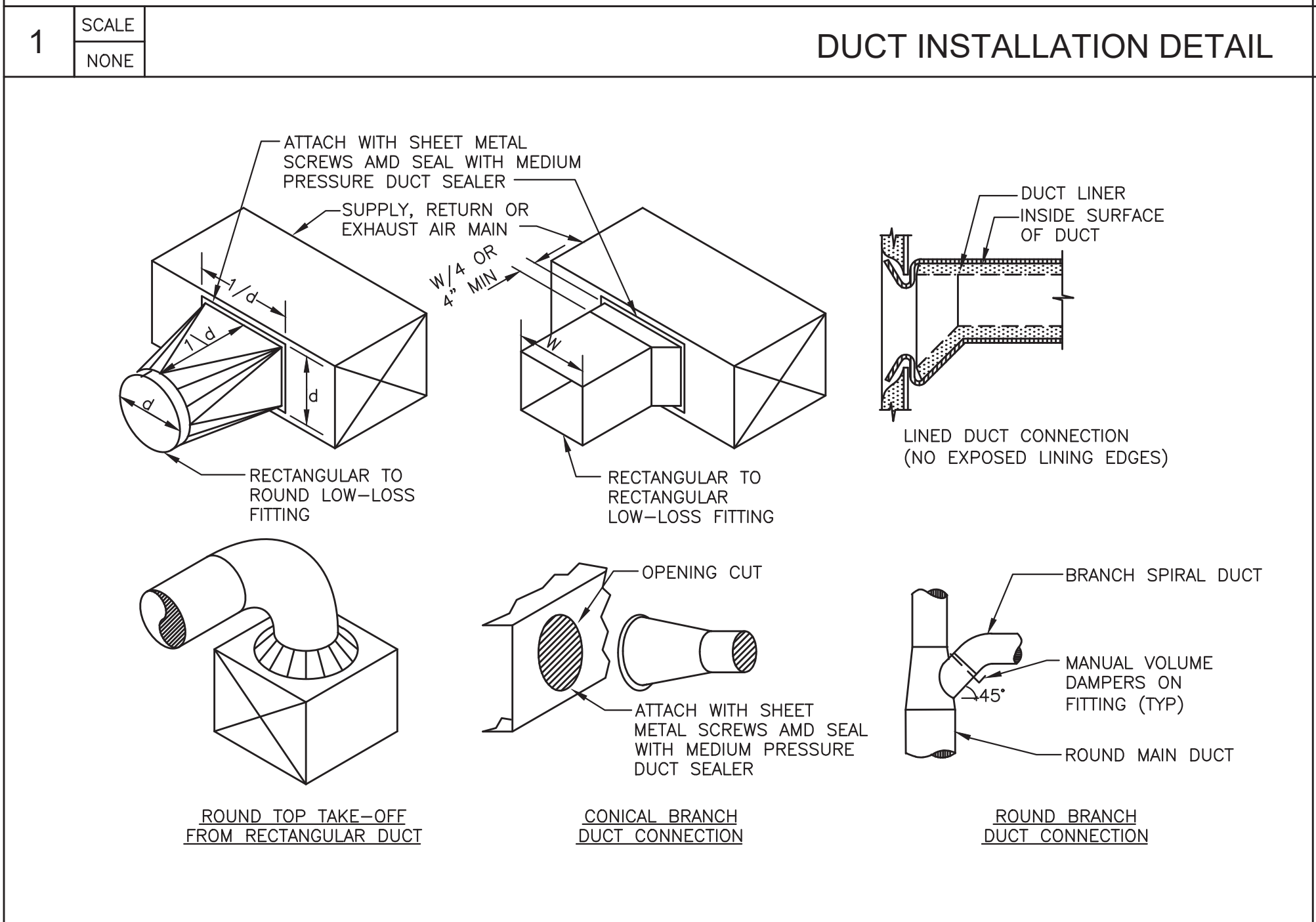
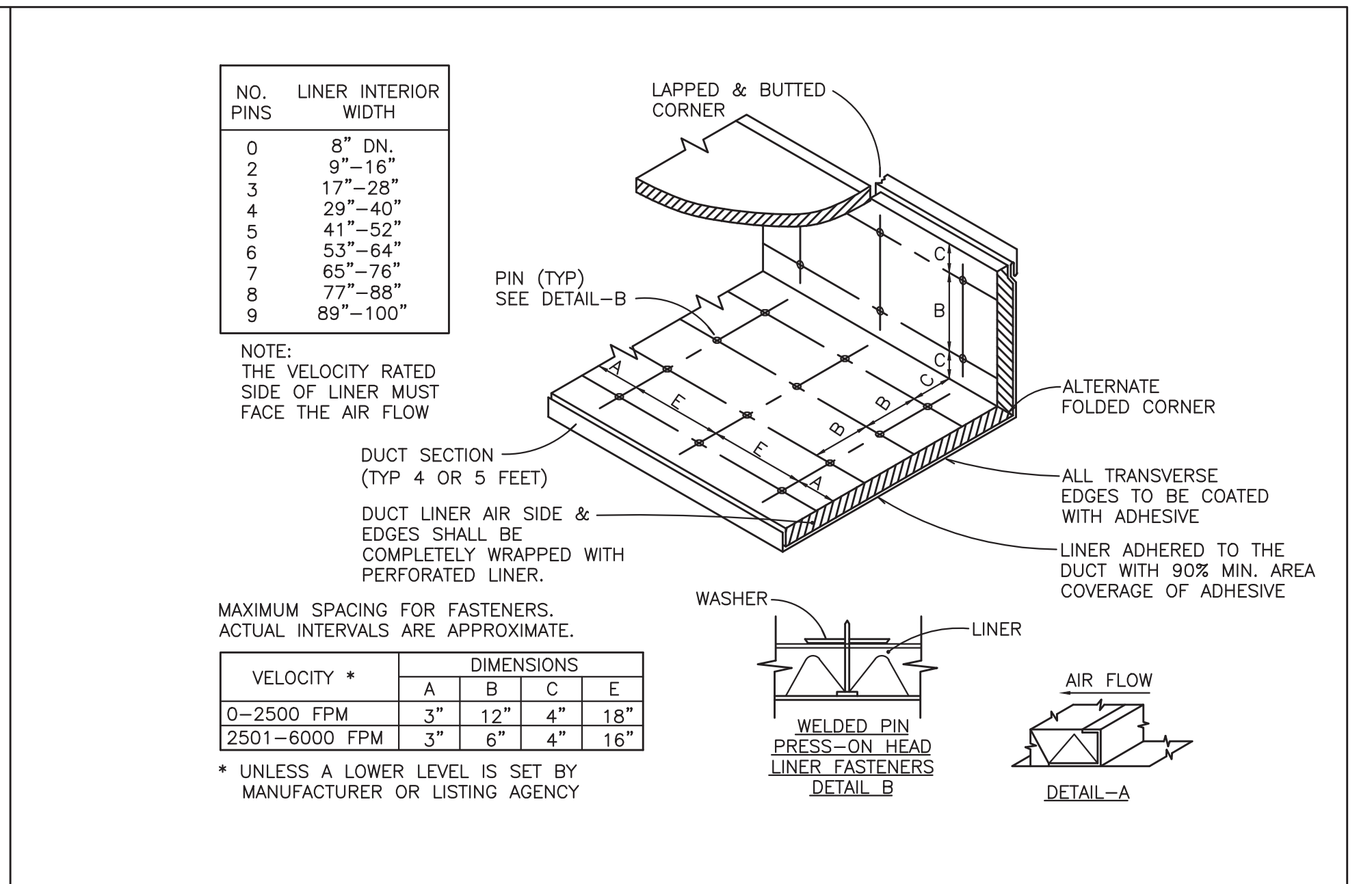
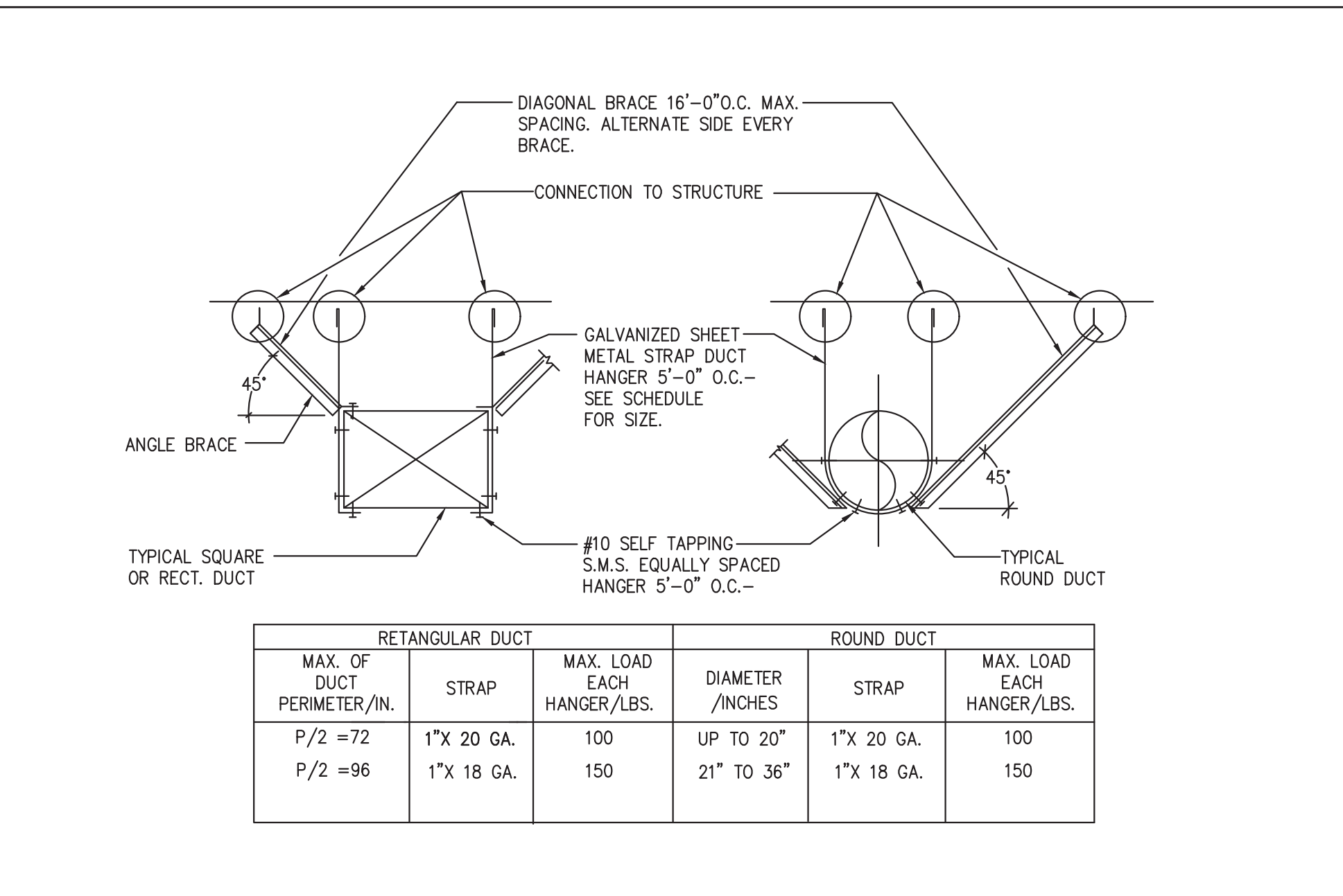
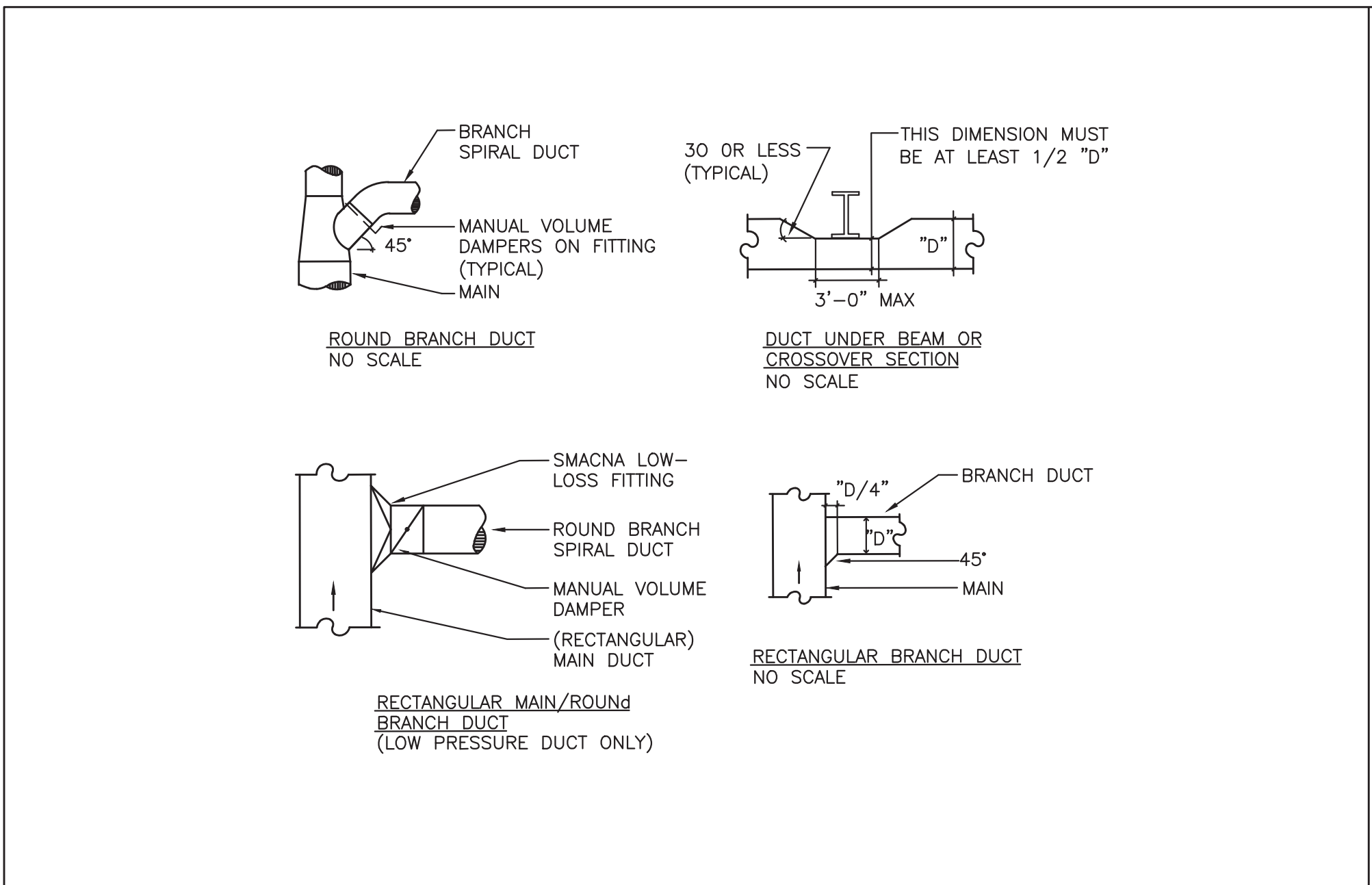
1111 6th Ave. #111
 San Diego, CA 92101
 phone: (619) 734-4488
 fax: (619) 594-2002
 www.enr.com
ENGINEERING CONSULTANTS INC.



MECHANICAL DETAILS
 8/20/2023, 10:45:42
 Nikla Stamenkovic

JOB NO: B1910-AA031
 DRAWN: ME
 CHECKED: CZ
 SCALE: NONE
 DATE: 10.21.2021

M3.1



7 SCALE NONE ONE-WAY CEILING CASSETTE INSTALLATION

8 SCALE NONE HEAT PUMP MOUNTING DETAIL

9 SCALE NONE EXHAUST FAN INSTALLATION DETAIL