

DESIGNER/ ARCHITECT:
 GILLIAN SHAFFER LUTSKO
 +1 917 733 2226
 gillian@si-collective.com

PROJECT
FUNDACION DE LAS AMERICAS
 COLEGIO LA ESPERANZA
 ANFITEATRO
 TIJUANA, MEXICO
 OWNER:
 CHRISTINE BRADY
 DIRECCION DEL TRABAJO 15700, LA ESPERANZA
 22186 TIJUANA, B.C., MEXICO

100% DESIGN DEVELOPMENT DOCUMENTS

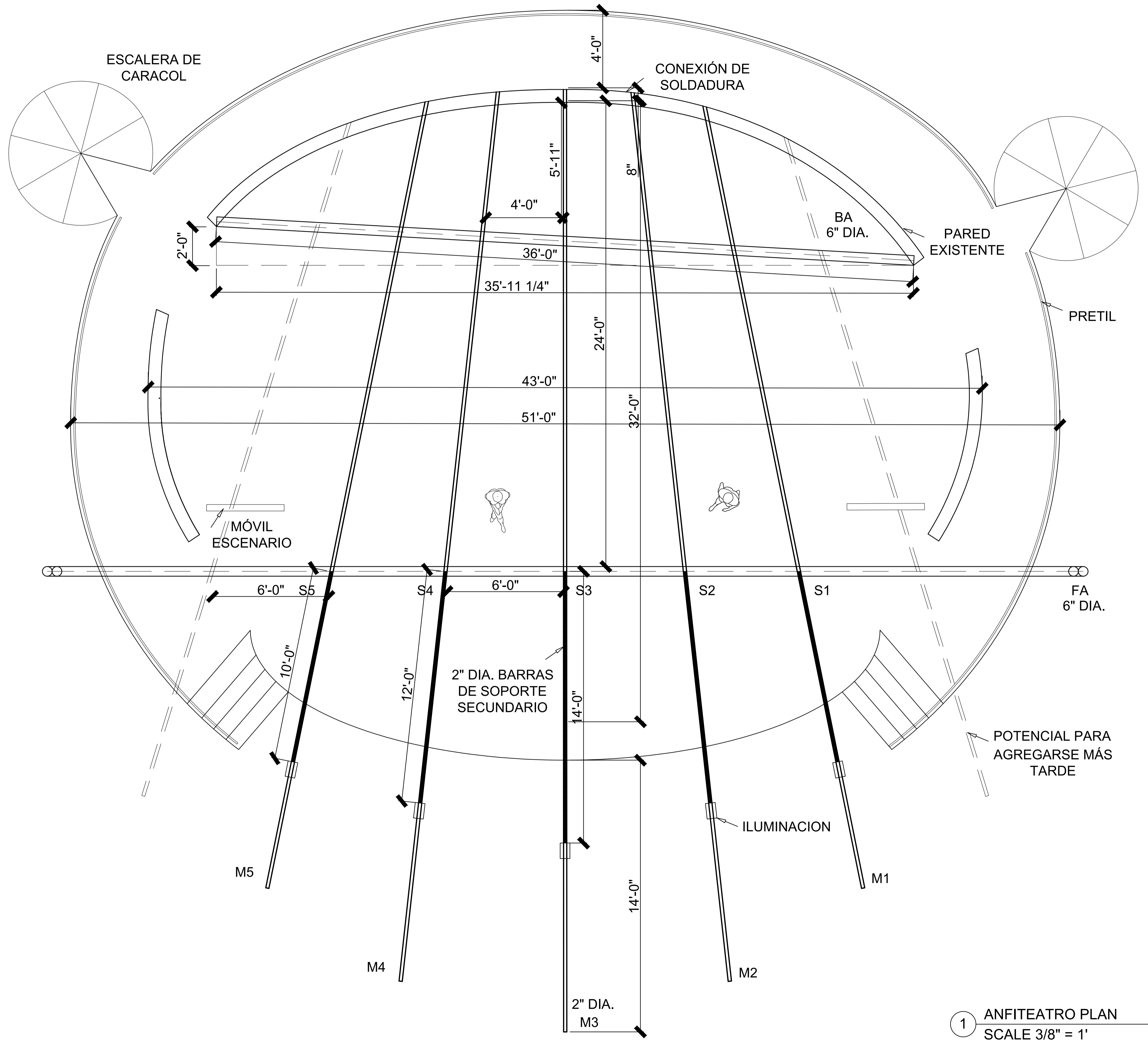
STAMP

SCALE: 1/4" = 1'
 PROJECT NUMBER: 2006
 DRAWN BY: CHECKED BY:

TITLE
ANFITEATRO SITE PLAN

DATE	SECTION	DRAWING NUMBER
MAY 5, 2021	AN	100

1 ANFITEATRO SITE PLAN
 SCALE 3/16" = 1'



DESIGNER/ ARCHITECT:
 GILLIAN SHAFFER LUTSKO
 +1 917 733 2226
 gillian@si-collective.com

PROJECT
FUNDACION DE LAS AMERICAS
COLEGIO LA ESPERANZA
ANFITEATRO
 TIJUANA, MEXICO
 OWNER:
 CHRISTINE BRADY
 DIRECCION DEL TRABAJO 15700, LA ESPERANZA
 22186 TIJUANA, B. C., MEXICO

100% DESIGN DEVELOPMENT DOCUMENTS

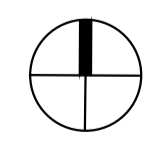
STAMP

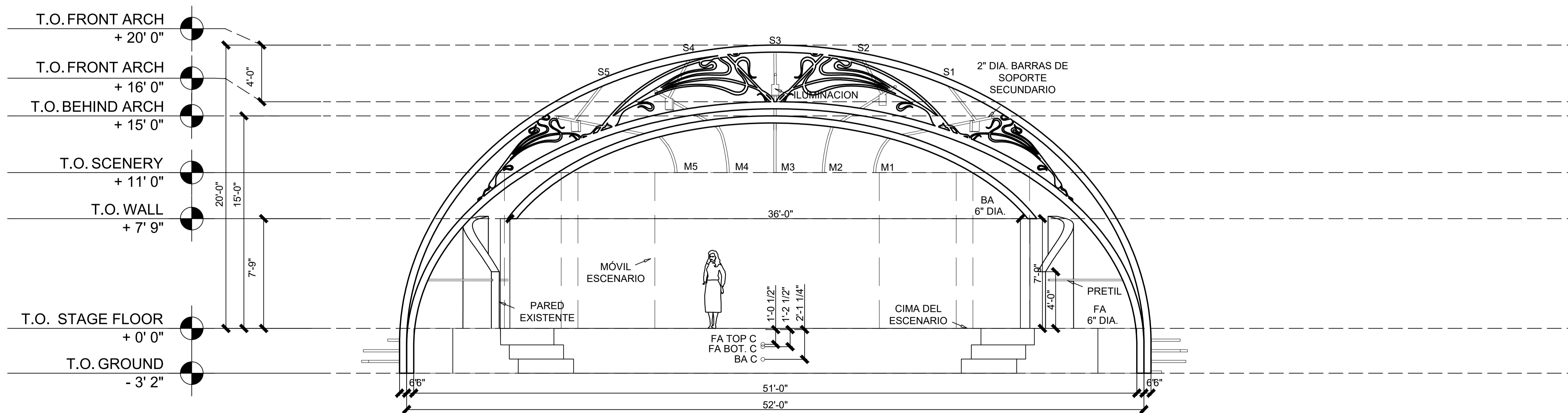
SCALE: PROJECT NUMBER
 3/8" = 1' 2006
 DRAWN BY: CHECKED BY:

TITLE
ANFITEATRO PLAN

DATE	SECTION	DRAWING NUMBER
MAY 5, 2021	AN	101

1 ANFITEATRO PLAN
 SCALE 3/8" = 1'





1 FRONT ELEVATION
SCALE 1/4" = 1'

DESIGNER/ ARCHITECT:
GILLIAN SHAFFER LUTSKO
+1 917 733 2226
gillian@sl-collective.com

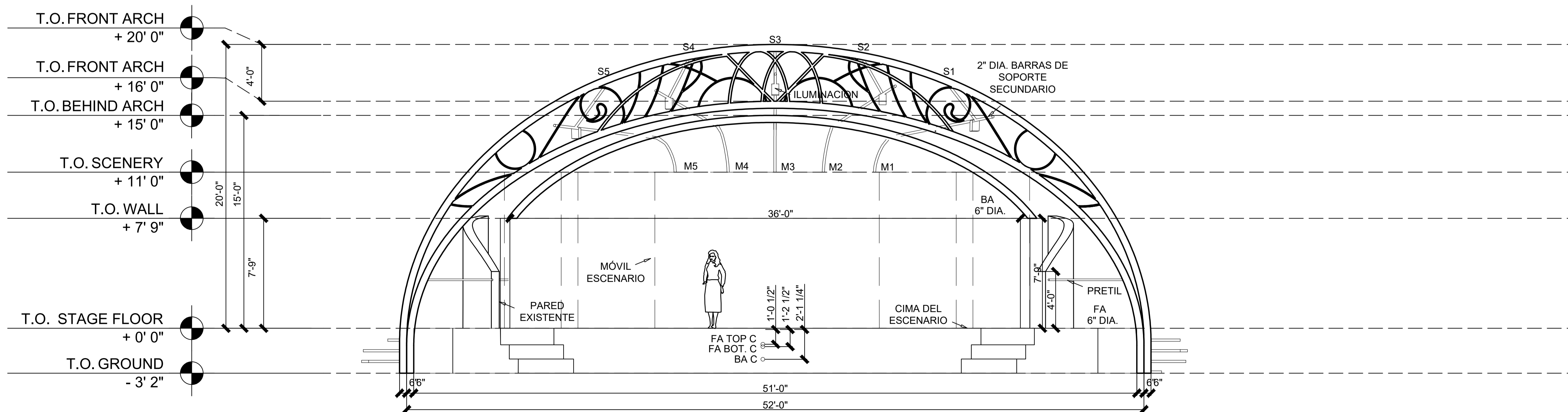
PROJECT
FUNDACION DE LAS AMERICAS
COLEGIO LA ESPERANZA
ANFITEATRO
TIJUANA, MEXICO
OWNER:
CHRISTINE BRADY
DIRECCION DEL TRABAJO 15700, LA ESPERANZA
22186 TIJUANA, B.C., MEXICO

100% DESIGN
DEVELOPMENT
DOCUMENTS

STAMP	
SCALE 1/4" = 1'	PROJECT NUMBER 2006
DRAWN BY	CHECKED BY

TITLE
FRONT ELEVATION - ART NOUVEAU

DATE MAY 5, 2021	SECTION AN	DRAWING NUMBER 200
---------------------	---------------	-----------------------



1 FRONT ELEVATION
SCALE 1/4" = 1'

DESIGNER/ ARCHITECT:
GILLIAN SHAFFER LUTSKO
+1 917 733 2226
gillian@sl-collective.com

PROJECT
FUNDACION DE LAS AMERICAS
COLEGIO LA ESPERANZA
ANFITEATRO
TIJUANA, MEXICO
OWNER:
CHRISTINE BRADY
DIRECCION DEL TRABAJO 15700, LA ESPERANZA
22186 TIJUANA, B.C., MEXICO

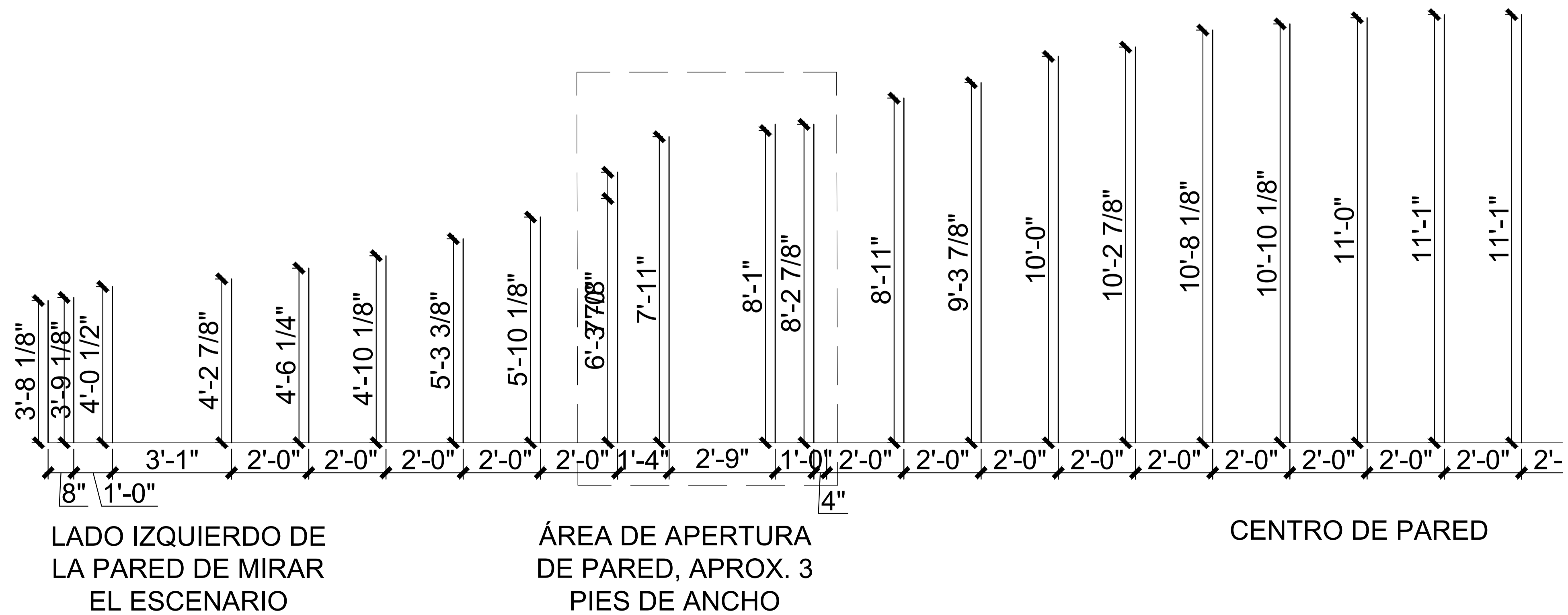
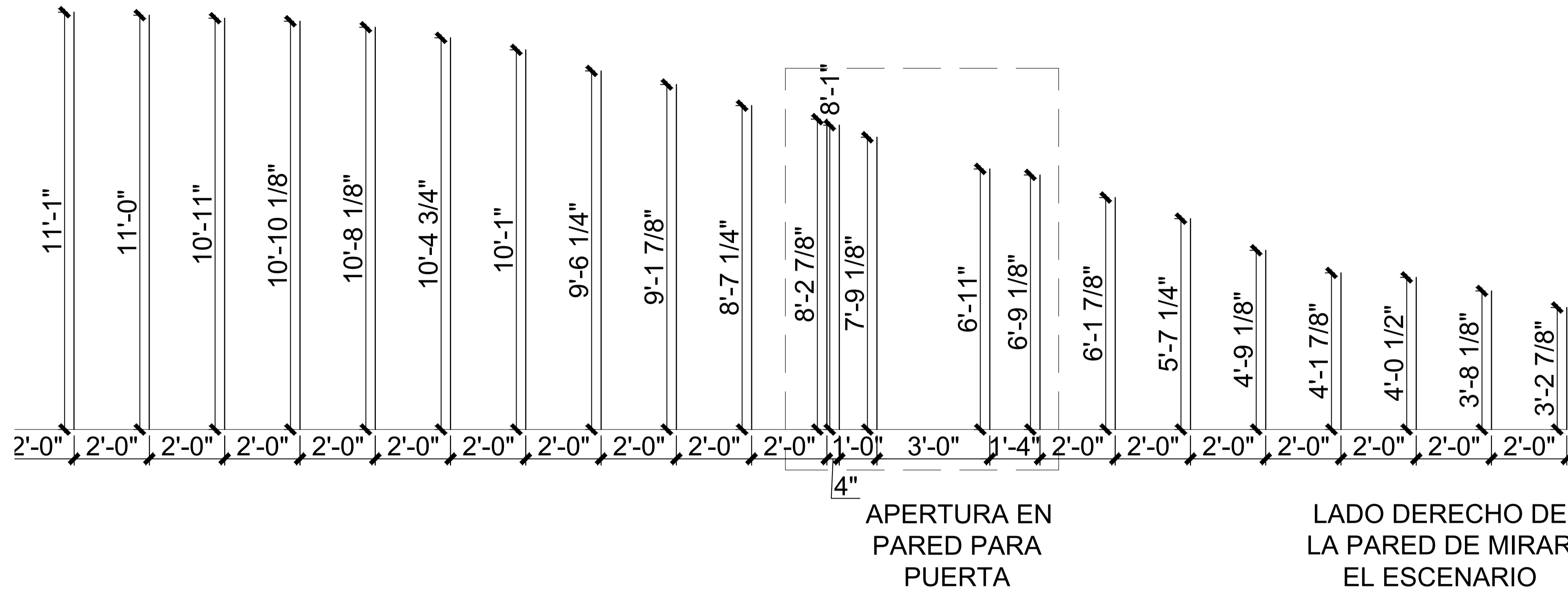
100% DESIGN
DEVELOPMENT
DOCUMENTS

STAMP

SCALE 1/4" = 1' PROJECT NUMBER 2006
DRAWN BY CHECKED BY

TITLE
FRONT ELEVATION - OVERLAY

DATE	SECTION	DRAWING NUMBER
MAY 5, 2021	AN	200



1 EXISTING WALL ELEVATION
SCALE 1/2" = 1'

DESIGNER/ ARCHITECT:
GILLIAN SHAFFER LUTSKO
+1 917 733 2226
gillian@sl-collective.com

PROJECT
FUNDACION DE LAS AMERICAS
COLEGIO LA ESPERANZA
ANFITEATRO
TIJUANA, MEXICO
OWNER:
CHRISTINE BRADY
DIRECCION DEL TRABAJO 15700, LA ESPERANZA
22186 TIJUANA, B.C., MEXICO

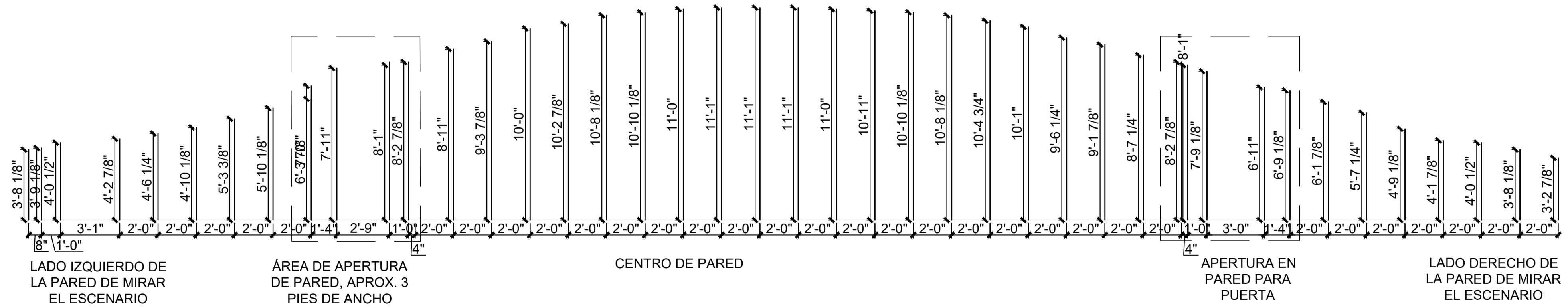
100% DESIGN DEVELOPMENT DOCUMENTS

STAMP

SCALE 1/2" = 1' PROJECT NUMBER 2006
DRAWN BY CHECKED BY

TITLE
EXISTING WALL ELEVATION

DATE SECTION DRAWING NUMBER
MAY 17, 2021 AN 250



1 EXISTING WALL ELEVATION
SCALE 1/4" = 1'

DESIGNER/ ARCHITECT:
GILLIAN SHAFFER LUTSKO
+1 917 733 2226
gillian@si-collective.com

PROJECT
FUNDACION DE LAS AMERICAS
COLEGIO LA ESPERANZA
ANFITEATRO
TIJUANA, MEXICO
OWNER:
CHRISTINE BRADY
DIRECCION DEL TRABAJO 15700, LA ESPERANZA
22186 TIJUANA, B.C., MEXICO

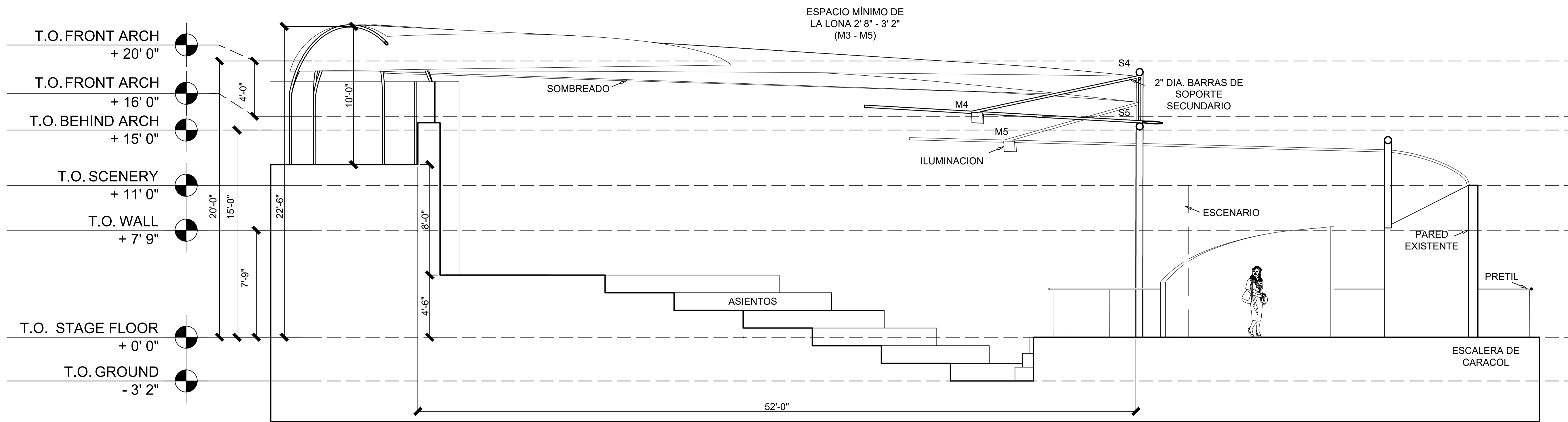
100% DESIGN DEVELOPMENT DOCUMENTS

STAMP

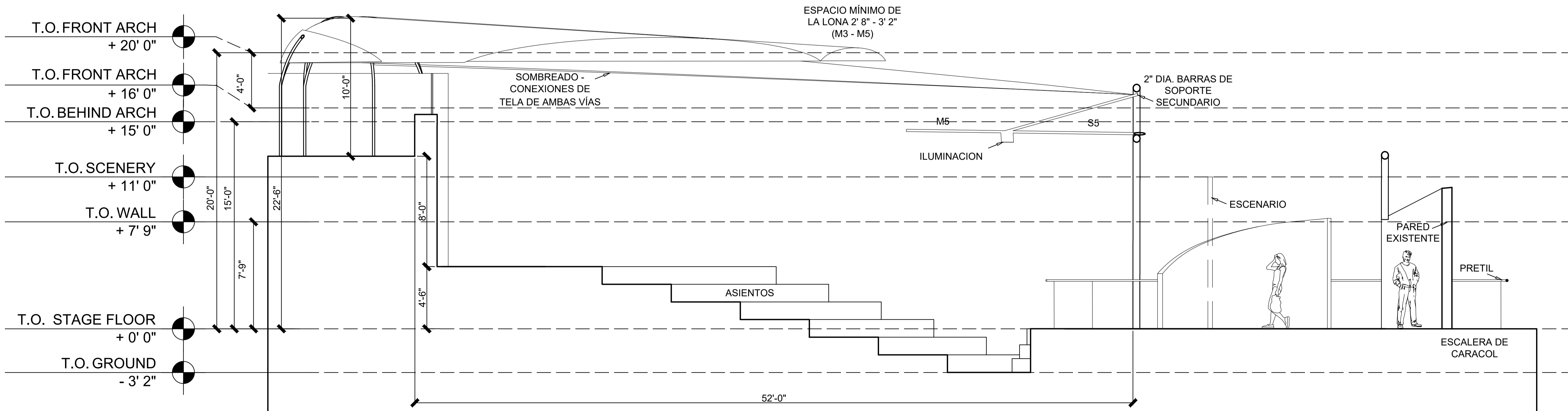
SCALE 1/4" = 1' PROJECT NUMBER 2006
DRAWN BY CHECKED BY

TITLE
EXISTING WALL ELEVATION

DATE SECTION DRAWING NUMBER
MAY 17, 2021 AN 251



2 LONGITUDINAL SECTION
SCALE 1/4" = 1'



1 LONGITUDINAL SECTION
SCALE 1/4" = 1'

DESIGNER/ ARCHITECT:
GILLIAN SHAFFER LUTSKO
+1 917 733 2226
gillian@sl-collective.com

PROJECT

FUNDACION DE LAS AMERICAS
COLEGIO LA ESPERANZA
ANFITEATRO

TIJUANA, MEXICO

OWNER:
CHRISTINE BRADY

DIRECCION DEL TRABAJO 15700, LA ESPERANZA
22186 TIJUANA, B.C., MEXICO

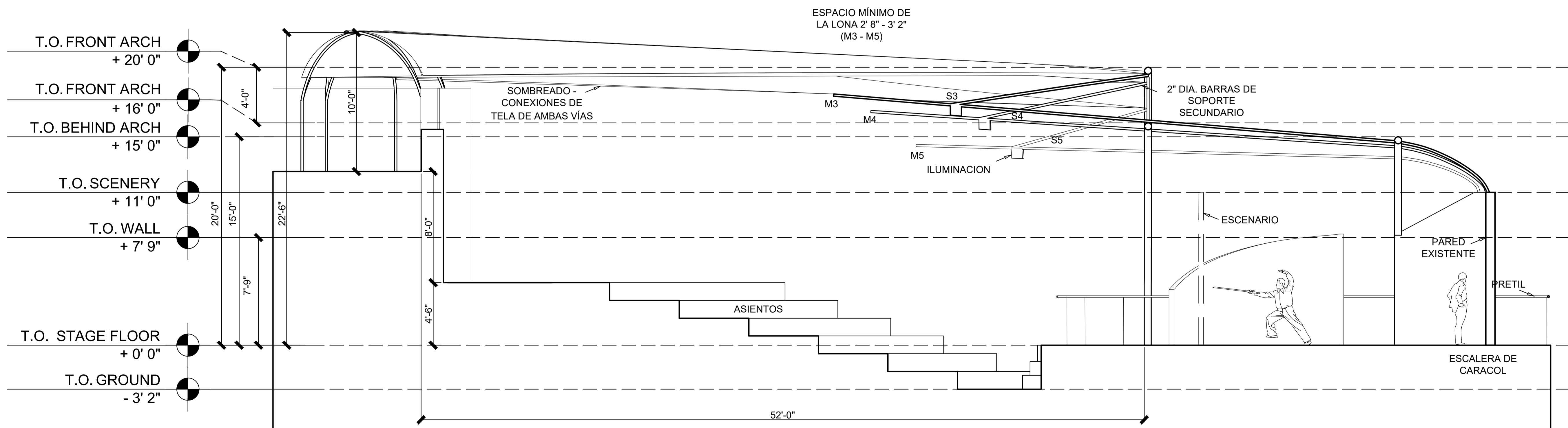
100% DESIGN
DEVELOPMENT
DOCUMENTS

STAMP

SCALE 1/4" = 1' PROJECT NUMBER 2006
DRAWN BY CHECKED BY

TITLE
SECTIONS

DATE	SECTION	DRAWING NUMBER
MAY 5, 2021	AN	300



3 LONGITUDINAL SECTION
SCALE 1/4" = 1'

DESIGNER/ ARCHITECT:
GILLIAN SHAFFER LUTSKO
+1 917 733 2226
gillian@sl-collective.com

PROJECT
FUNDACION DE LAS AMERICAS
COLEGIO LA ESPERANZA
ANFITEATRO
TIJUANA, MEXICO
OWNER:
CHRISTINE BRADY
DIRECCION DEL TRABAJO 15700, LA ESPERANZA
22186 TIJUANA, B.C., MEXICO

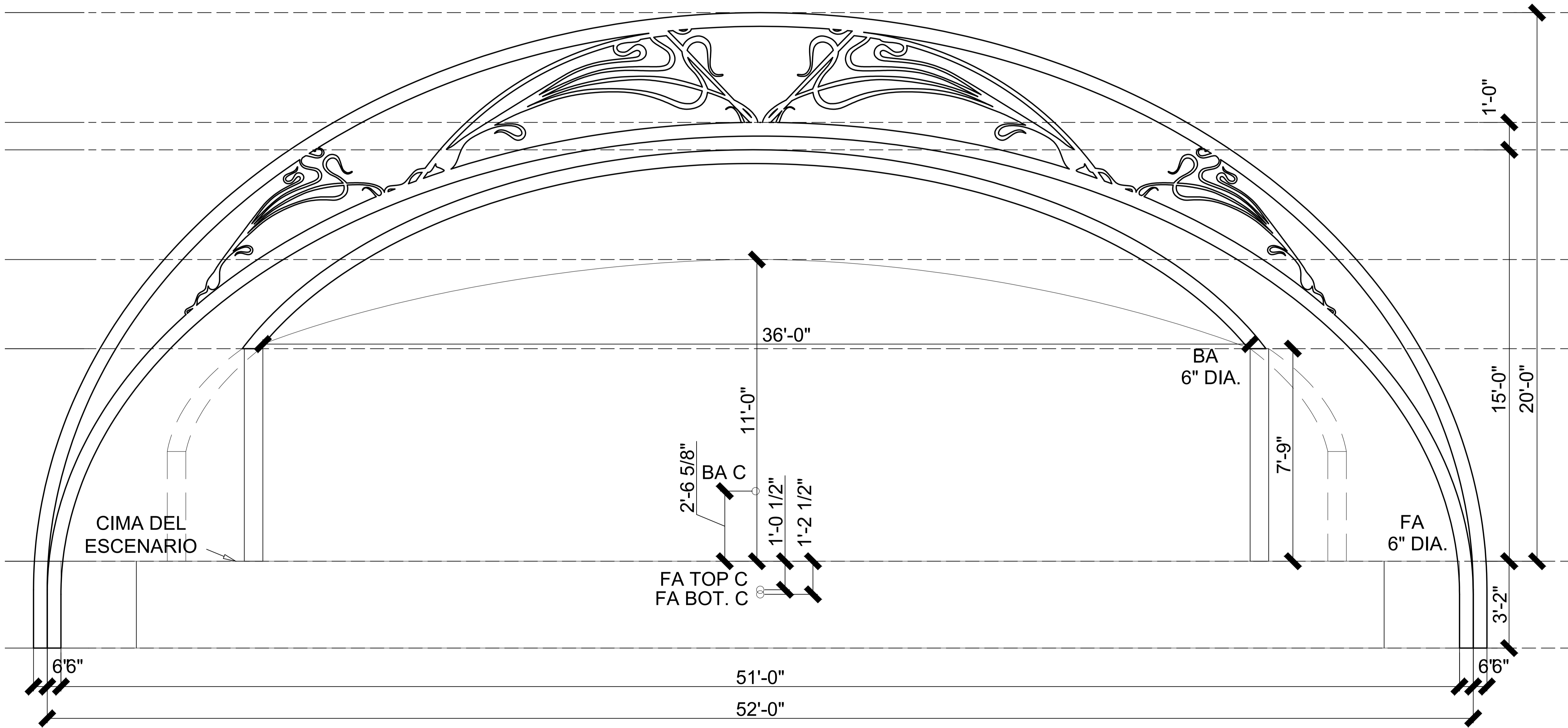
100% DESIGN
DEVELOPMENT
DOCUMENTS

STAMP

SCALE 1/4" = 1' PROJECT NUMBER 2006
DRAWN BY CHECKED BY

TITLE
SECTIONS

DATE	SECTION	DRAWING NUMBER
MAY 5, 2021	AN	301



DESIGNER/ ARCHITECT:
 GILLIAN SHAFFER LUTSKO
 +1 917 733 2226
 gillian@sl-collective.com

PROJECT
FUNDACION DE LAS AMERICAS
 COLEGIO LA ESPERANZA
 ANFITEATRO
 TIJUANA, MEXICO
 OWNER:
 CHRISTINE BRADY
 DIRECCION DEL TRABAJO 15700, LA ESPERANZA
 22186 TIJUANA, B.C., MEXICO

100% DESIGN
 DEVELOPMENT
 DOCUMENTS

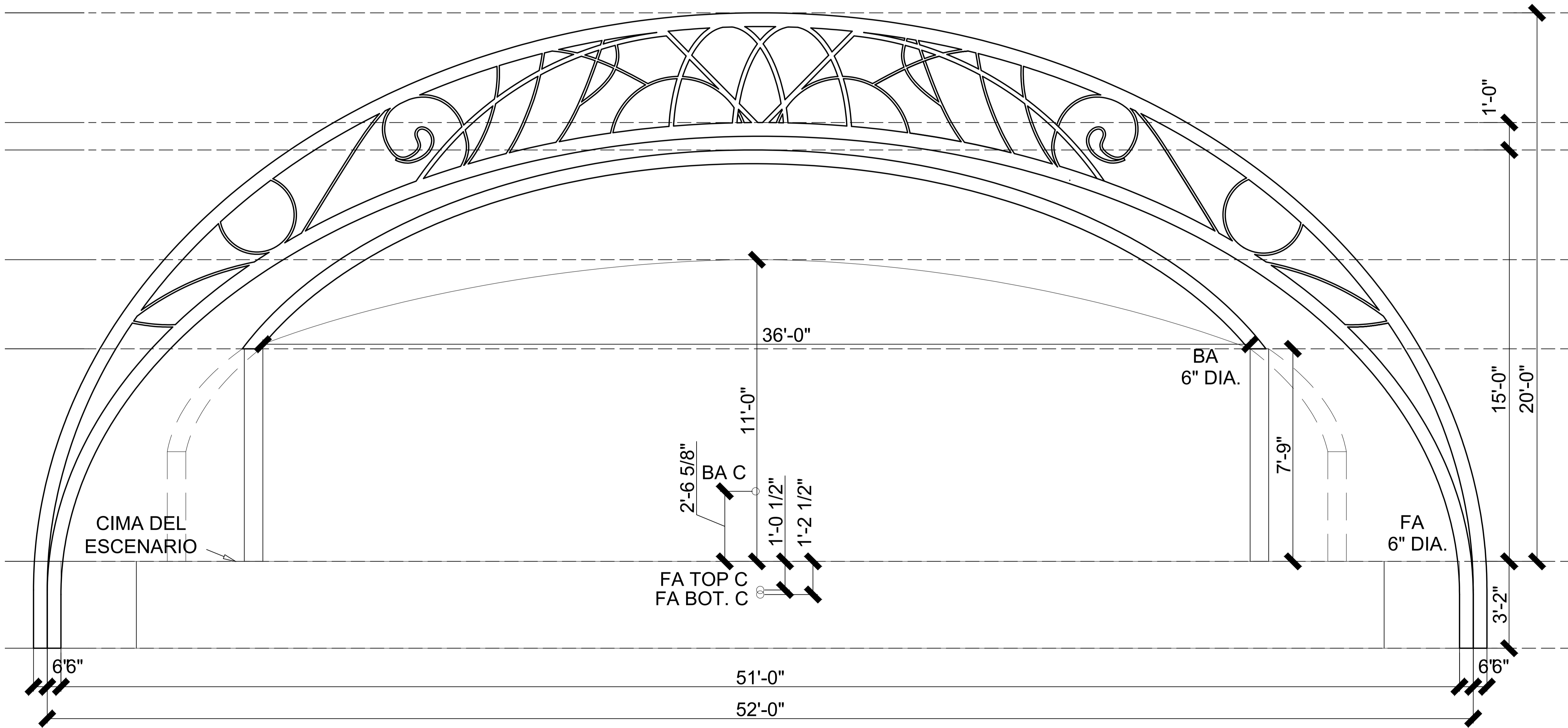
STAMP

SCALE 1/2" = 1'	PROJECT NUMBER 2006
DRAWN BY	CHECKED BY

TITLE
**STEEL MEMBER
 PROFILES - ART NOUVEAU**

DATE MAY 5, 2021	SECTION AN	DRAWING NUMBER 450
---------------------	---------------	-----------------------

① MIEMBROS DE ACERO
 SCALE 1/2" = 1'



DESIGNER/ ARCHITECT:
 GILLIAN SHAFFER LUTSKO
 +1 917 733 2226
 gillian@sl-collective.com

PROJECT
FUNDACION DE LAS AMERICAS
 COLEGIO LA ESPERANZA
 ANFITEATRO
 TIJUANA, MEXICO
 OWNER:
 CHRISTINE BRADY
 DIRECCION DEL TRABAJO 15700, LA ESPERANZA
 22186 TIJUANA, B.C., MEXICO

100% DESIGN
 DEVELOPMENT
 DOCUMENTS

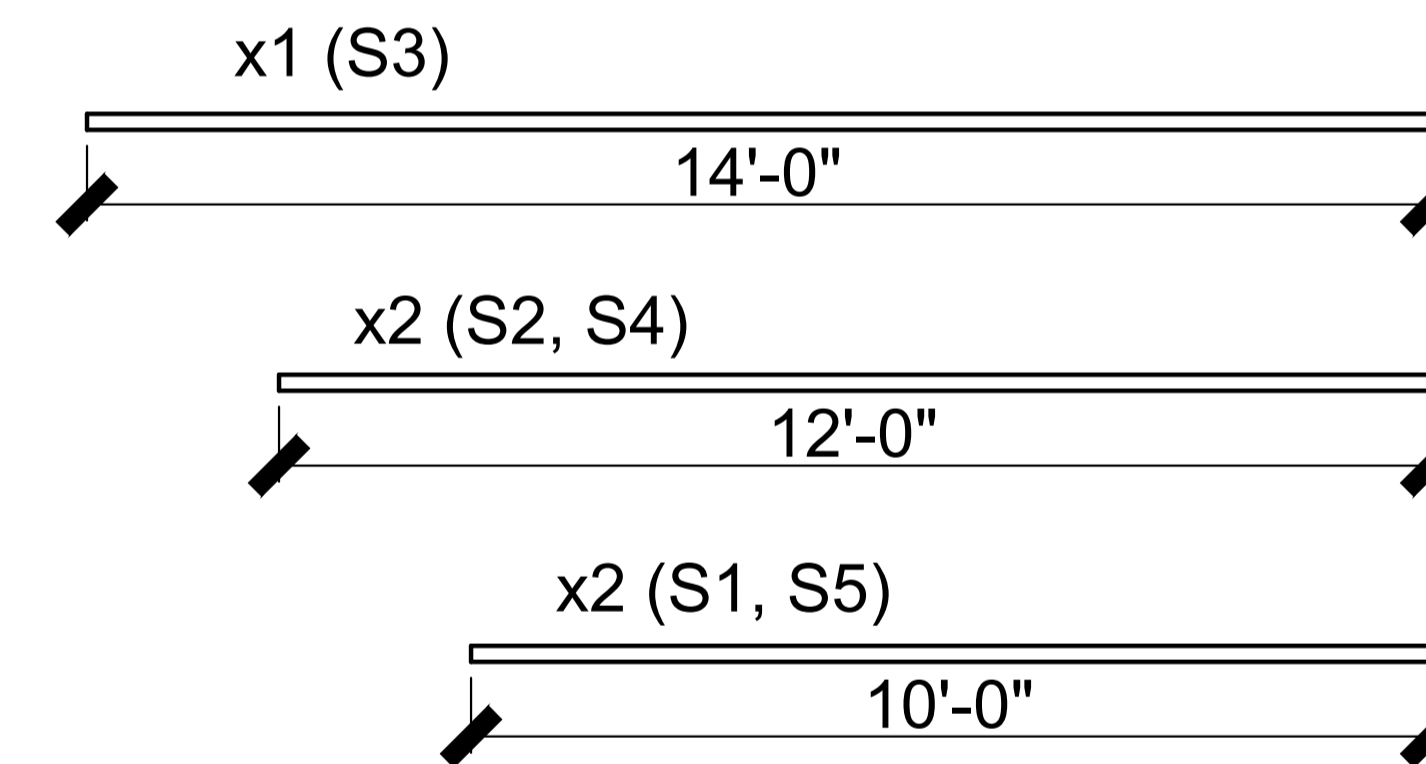
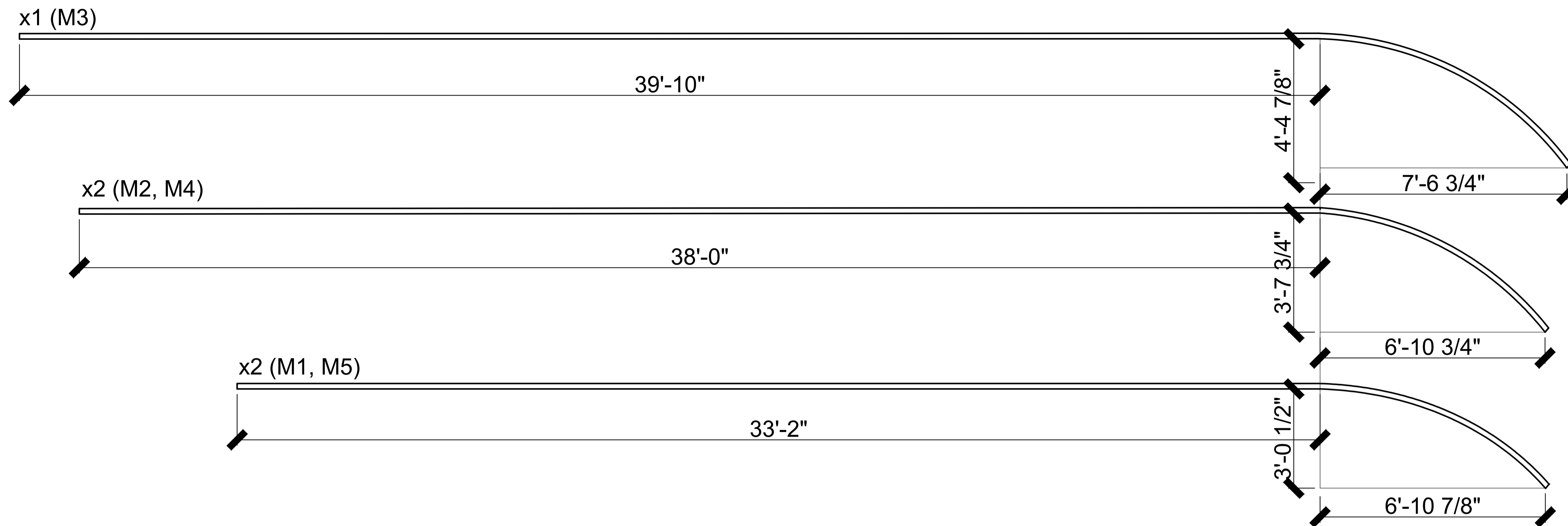
STAMP

SCALE 1/2" = 1' PROJECT NUMBER 2006
 DRAWN BY CHECKED BY

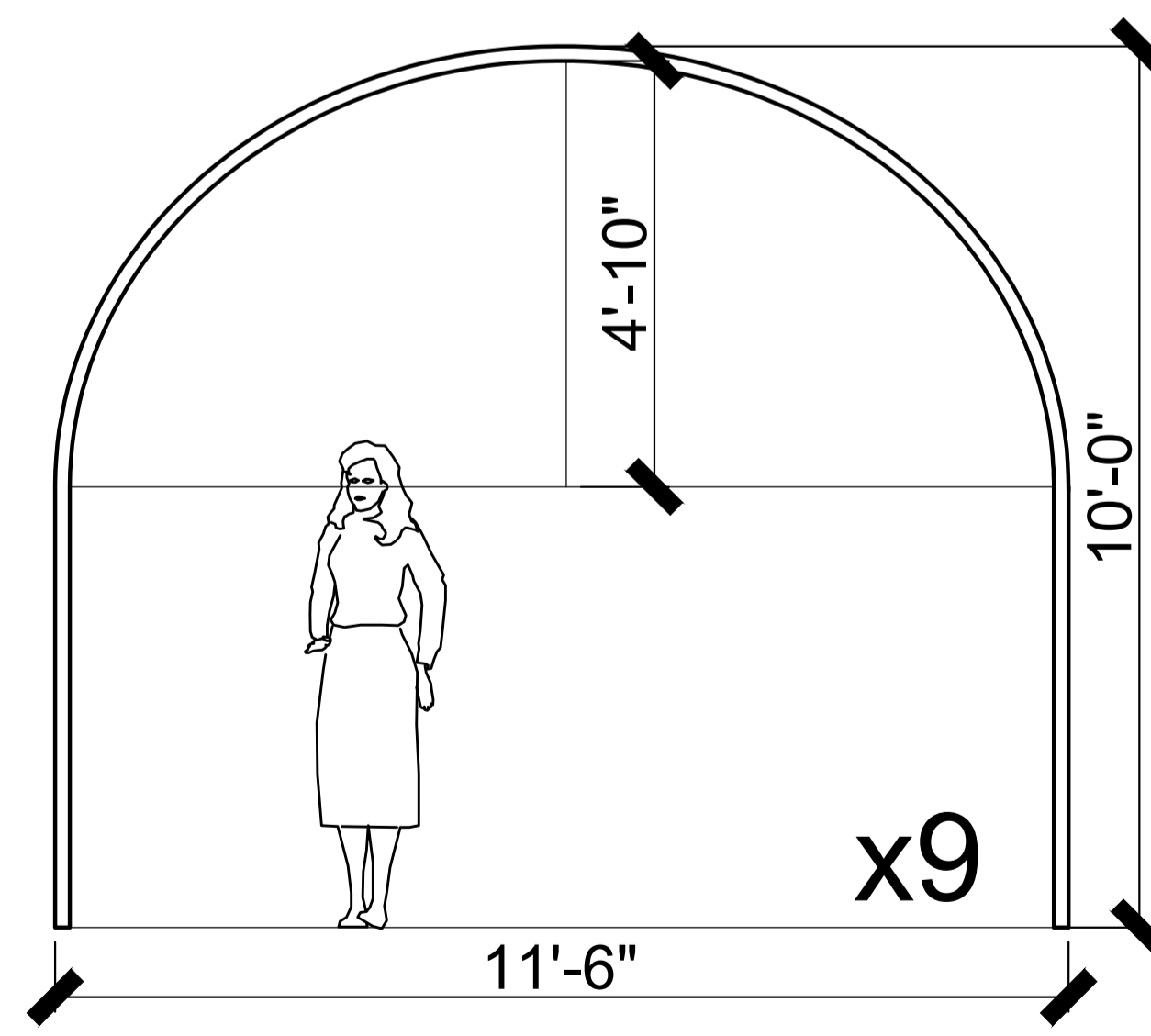
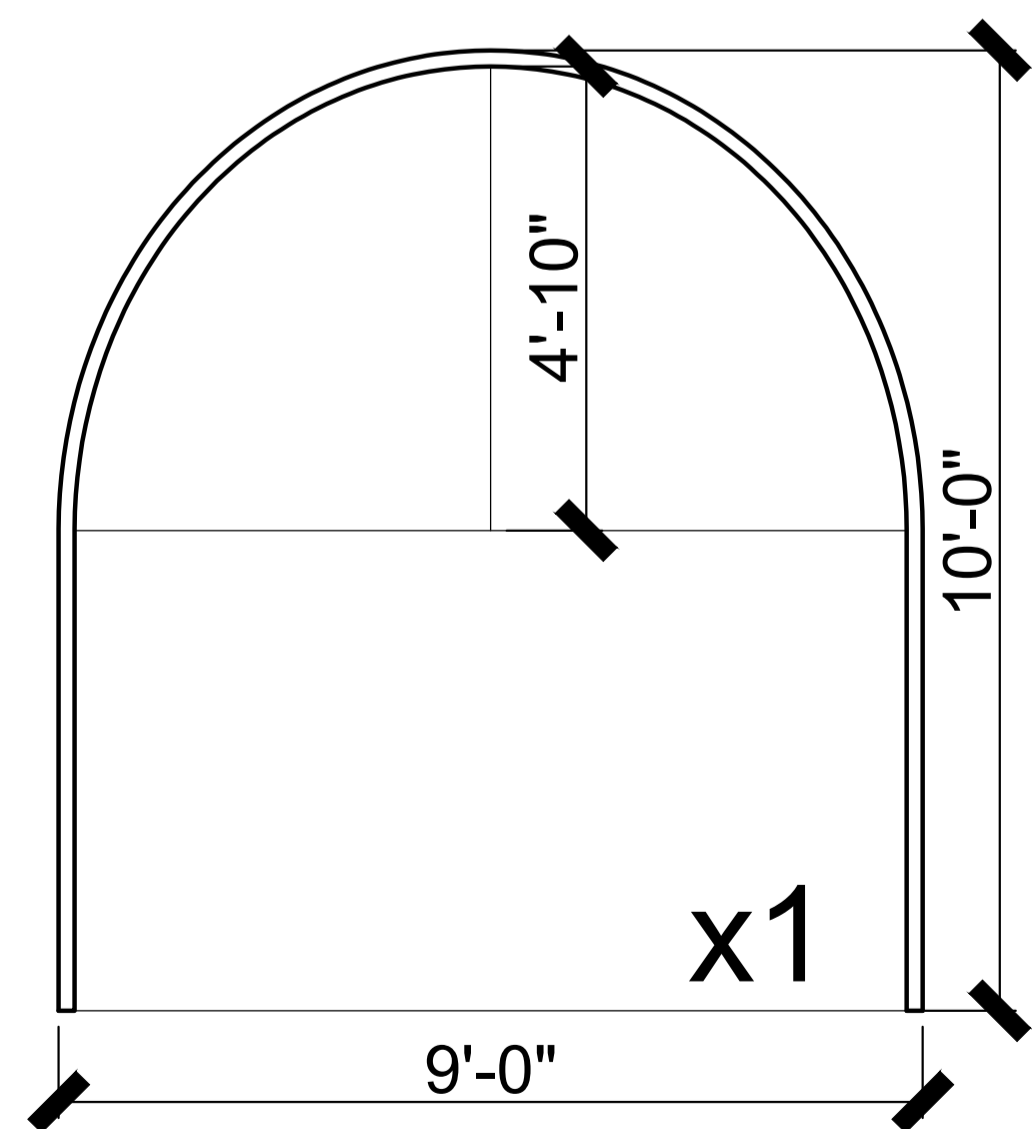
TITLE
**STEEL MEMBER
 PROFILES - OVERLAY**

DATE SECTION DRAWING NUMBER
 MAY 5, 2021 AN 450

① MIEMBROS DE ACERO
 SCALE 1/2" = 1'



2" DIA. BARRAS DE SOPORTE SECUNDARIO



1 MIEMBROS DE ACERO
SCALE 1/2" = 1'

DESIGNER/ ARCHITECT:
GILLIAN SHAFFER LUTSKO
+1 917 733 2226
gillian@sl-collective.com

PROJECT
FUNDACION DE LAS AMERICAS
COLEGIO LA ESPERANZA
ANFITEATRO
TIJUANA, MEXICO
OWNER:
CHRISTINE BRADY
DIRECCION DEL TRABAJO 15700, LA ESPERANZA
22186 TIJUANA, B.C., MEXICO

100% DESIGN DEVELOPMENT DOCUMENTS

STAMP

SCALE 1/2" = 1' PROJECT NUMBER 2006

DRAWN BY CHECKED BY

TITLE
STEEL MEMBER PROFILES

DATE	SECTION	DRAWING NUMBER
MAY 5, 2021	AN	451